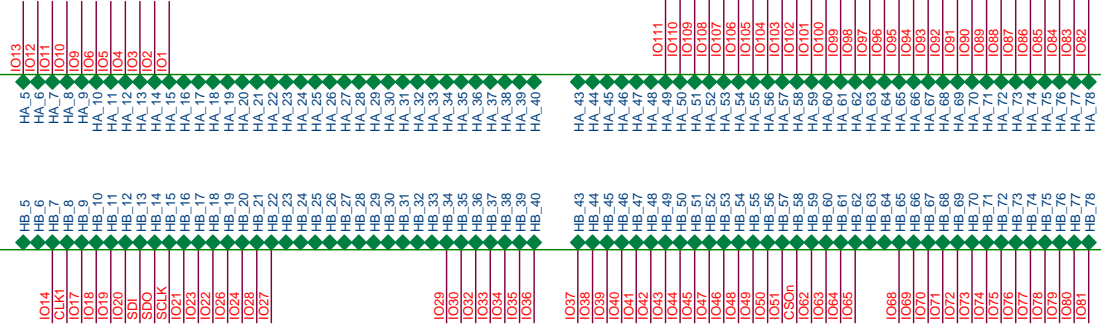
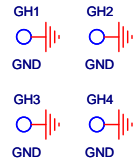


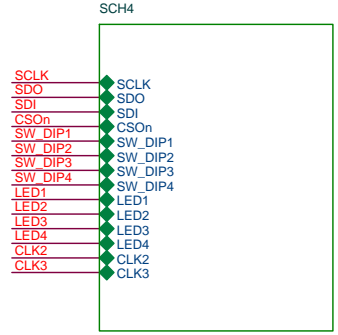
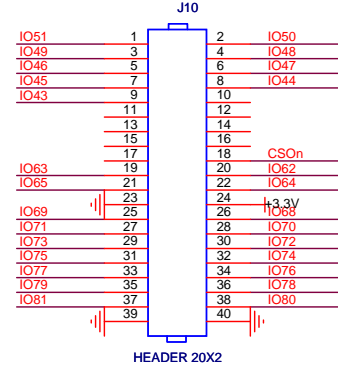
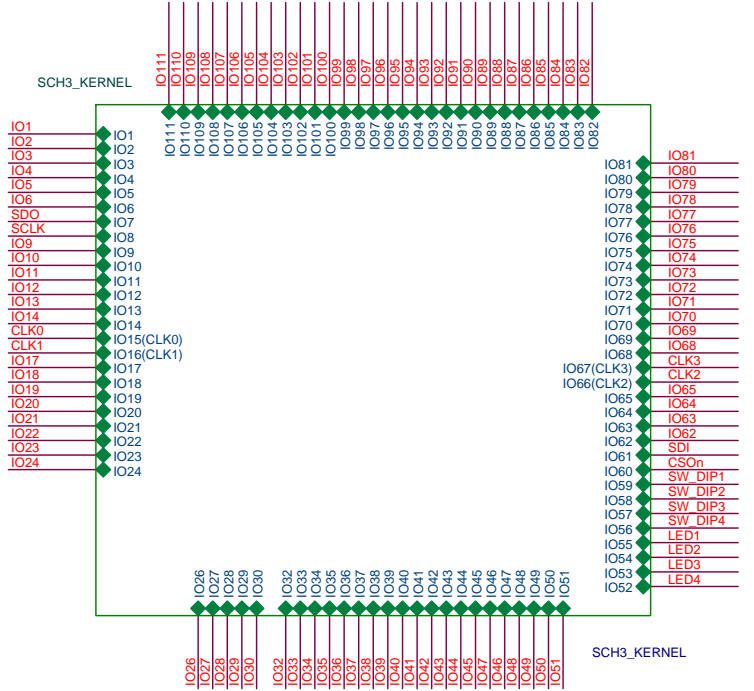
SCH2_CONNECTOR



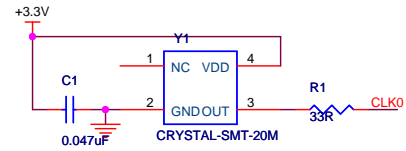
IO22 is SCL, IO23 is SDA
 HB_17 is SDA, HB_18 is SCL
 HB_13: AD_SDO, HB_14: AD_SDI, HB_14: AD_SCLK
 SCLK: IO8, SDO IO7, SDI: IO61



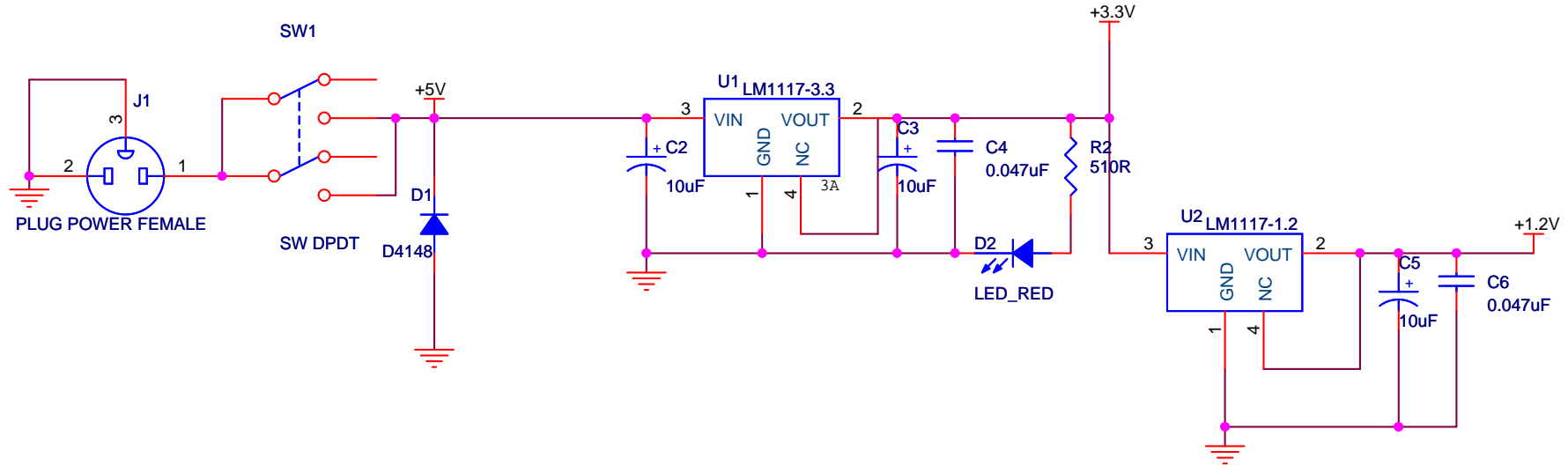
SCH3_KERNEL



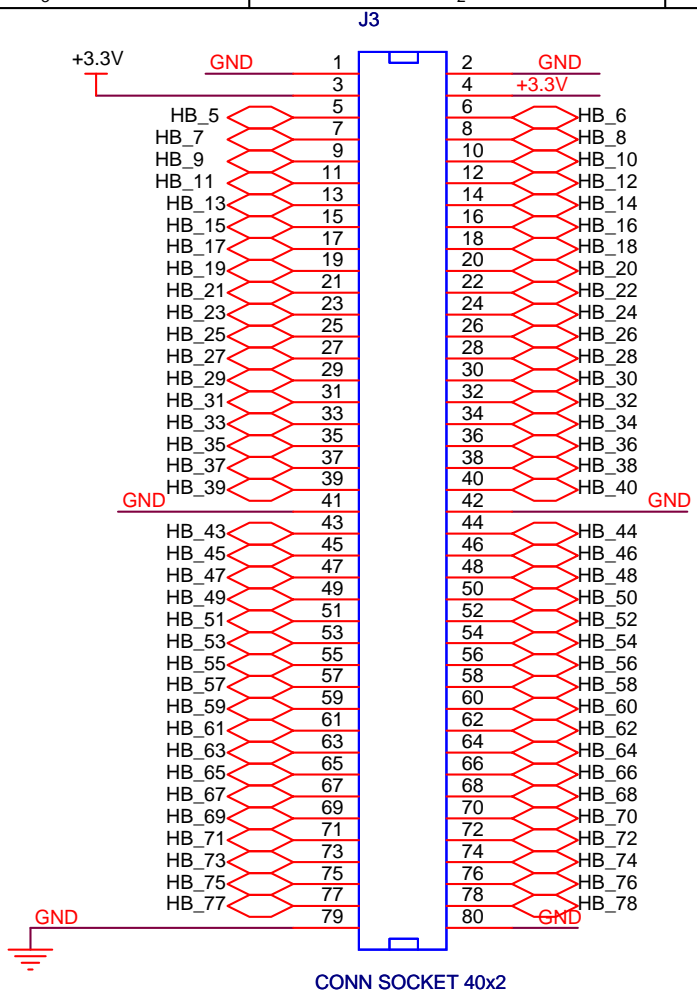
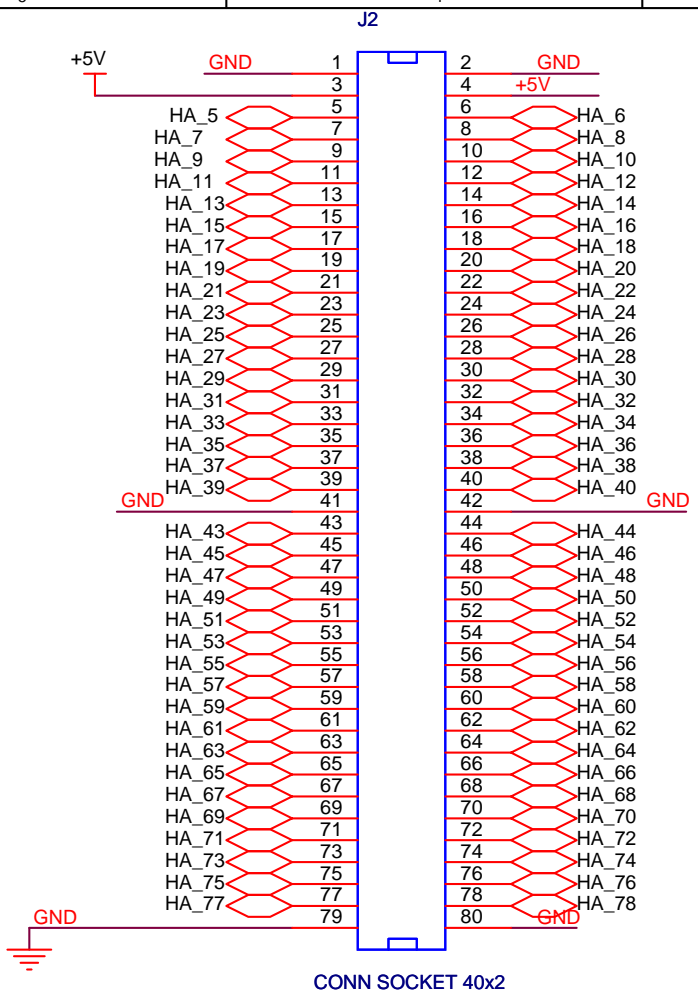
SCH4 APPLICATION
 如果芯片使用AS2B5P1KAL144, 无需焊接SPI Flash,



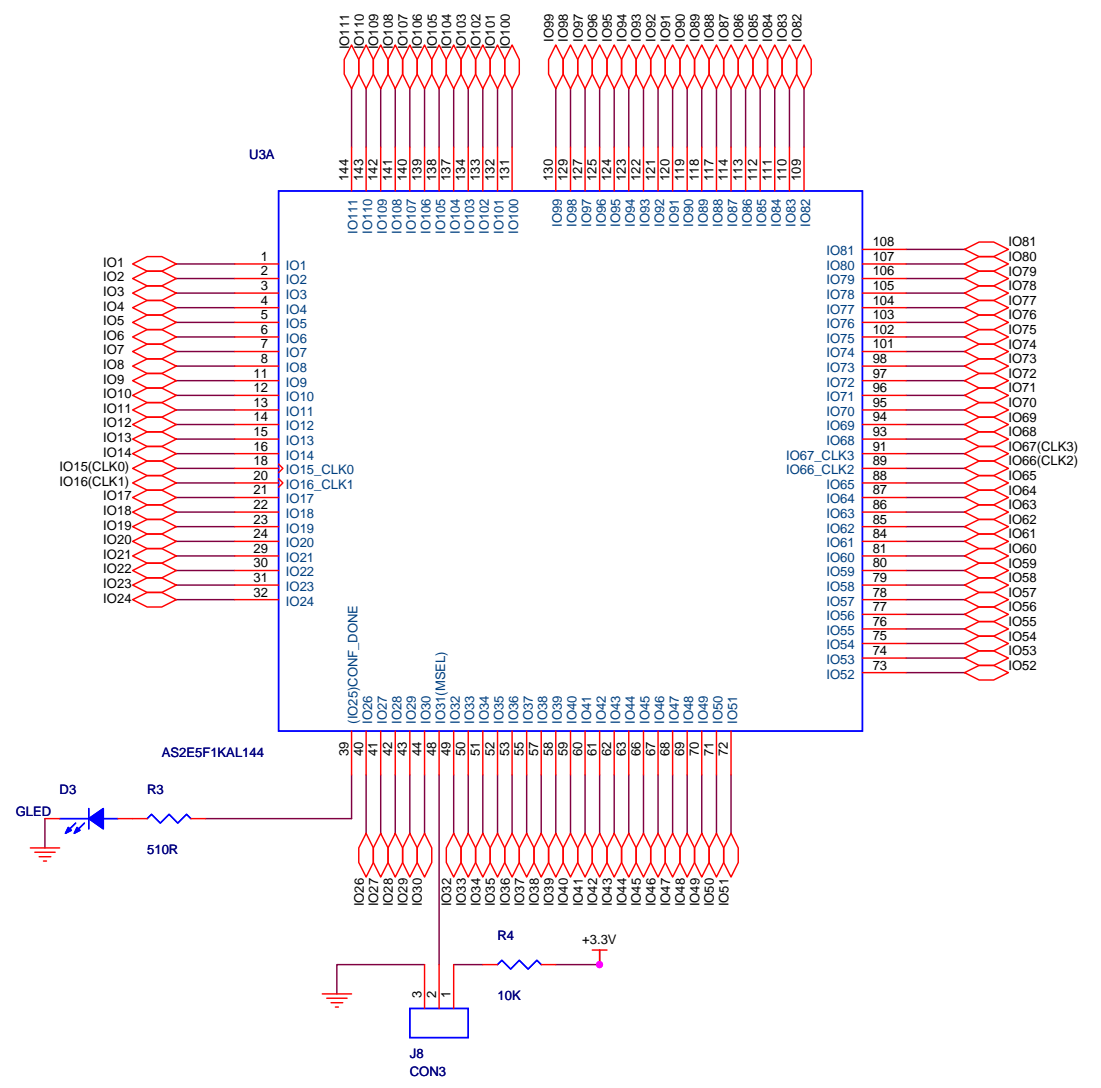
Title		<Title>
Size	Document Number	Rev
B	<Doc>	<RevCode>
Date:	Wednesday, June 29, 2011	Sheet 1 of 8

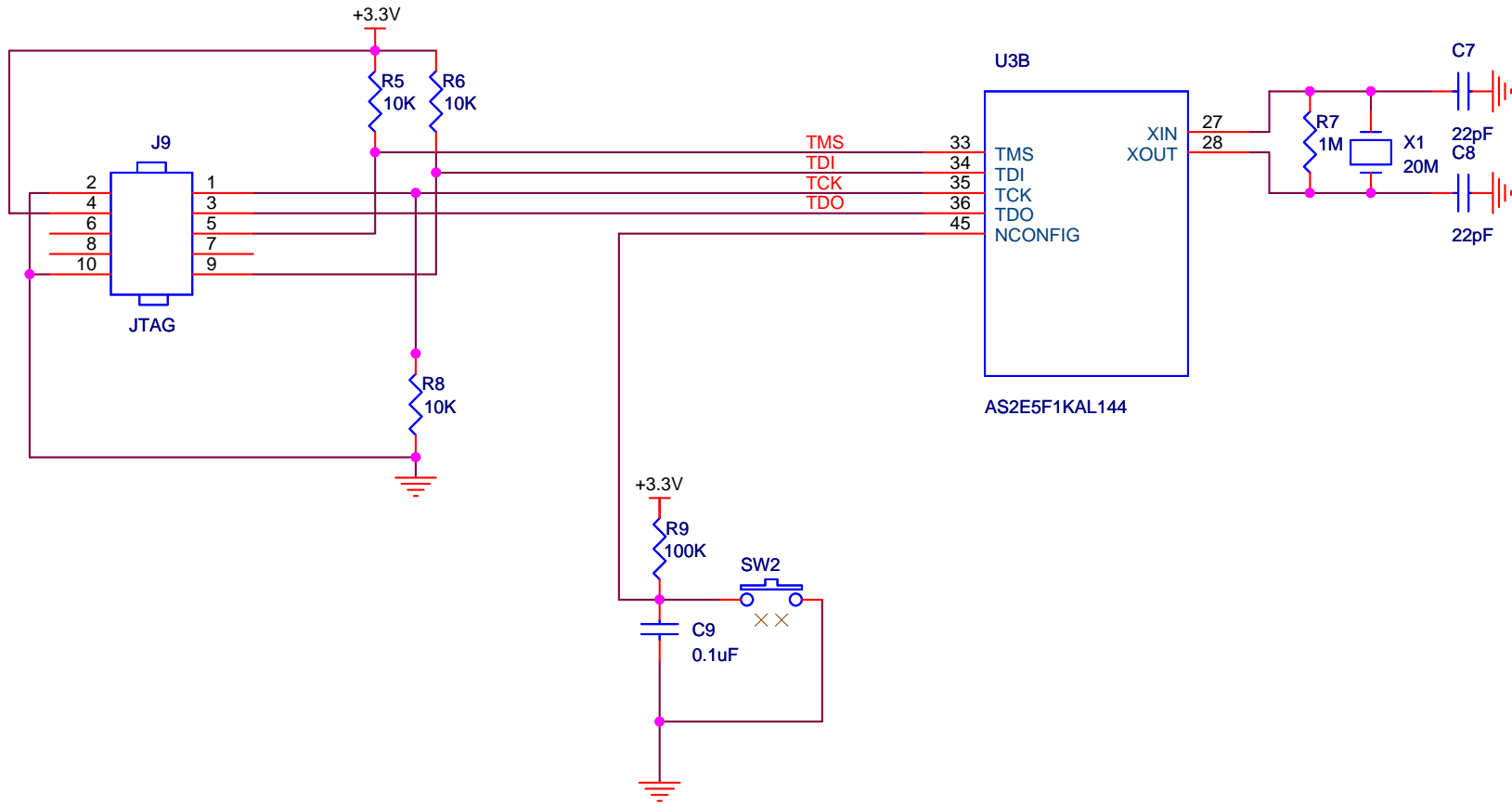


Title		
<Title>		
Size	Document Number	Rev
A	<Doc>	<RevCode>
Date:	Friday, December 03, 2010	Sheet 2 of 8

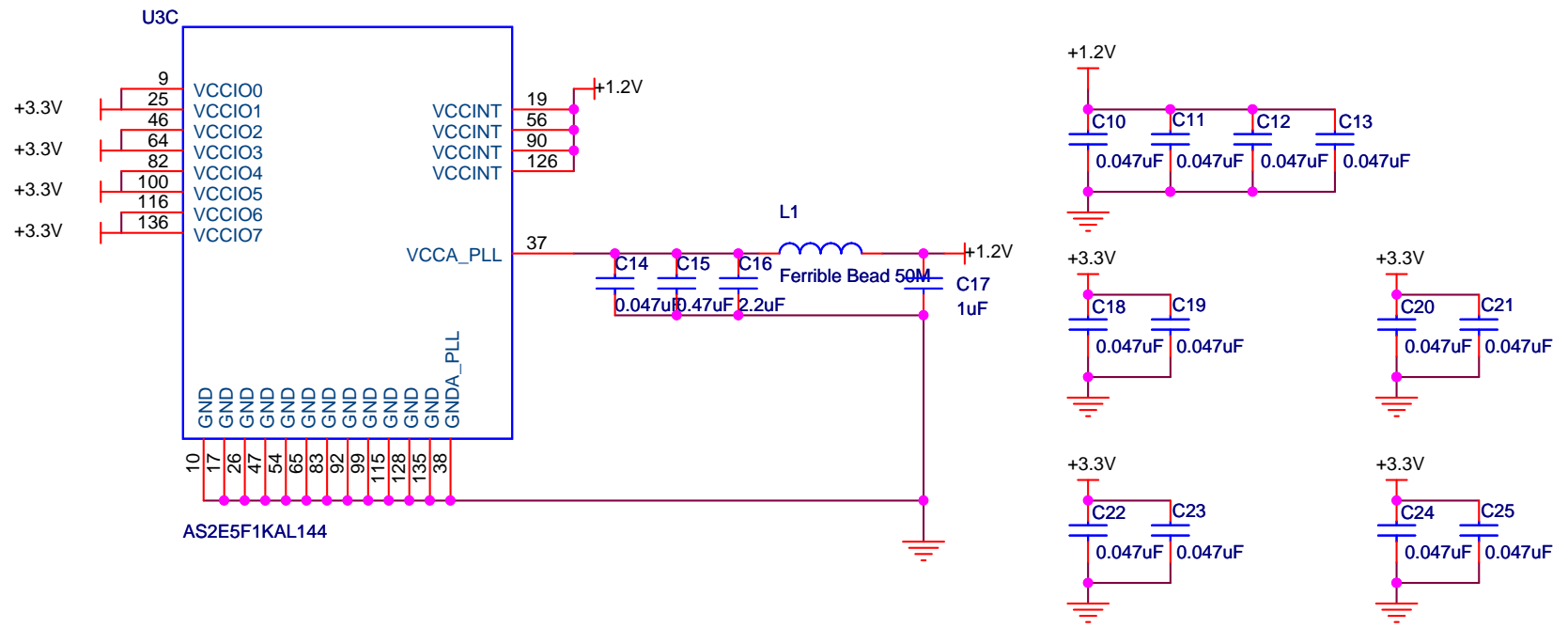


Title		
<Title>		
Size	Document Number	Rev
A	<Doc>	
Date:	Friday, December 10, 2010	Sheet 3 of 8

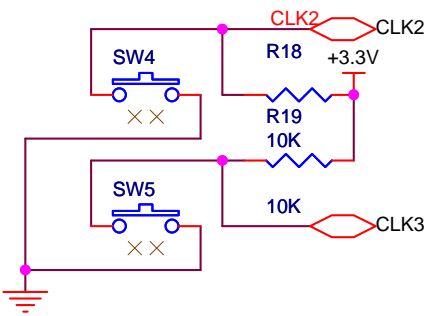
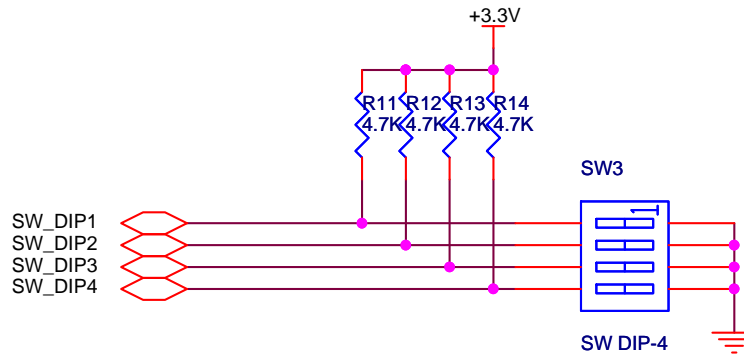
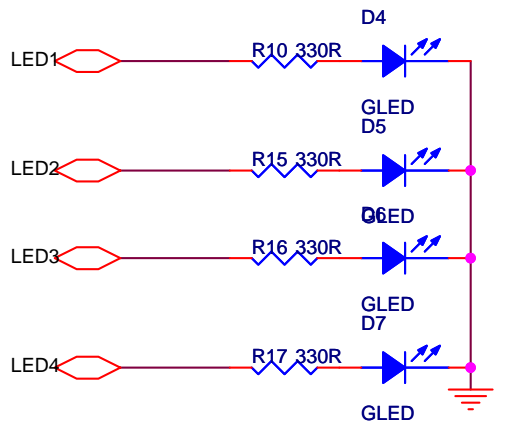




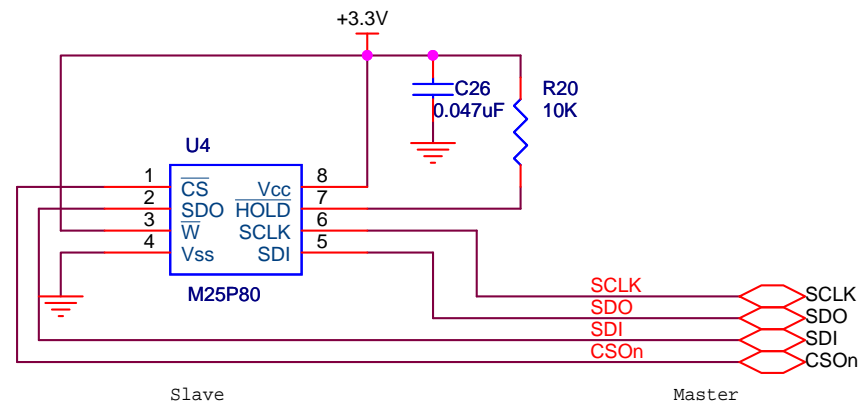
Title		
<Title>		
Size	Document Number	Rev
A	<Doc>	<RevCode>
Date:	Friday, December 03, 2010	Sheet 5 of 8



<Title>		
Title		
Size A	Document Number <Doc>	Rev <RevCode>
Date:	Friday, December 03, 2010	Sheet 6 of 8



Title		
<Title>		
Size	Document Number	Rev
A	<Doc>	<RevCode>
Date:	Friday, December 03, 2010	Sheet 7 of 8



Title		
<Title>		
Size	Document Number	Rev
A	<Doc>	<RevCode>
Date:	Friday, December 03, 2010	Sheet 8 of 8