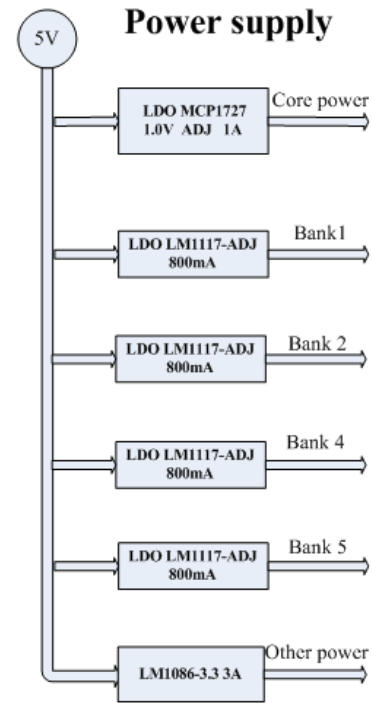
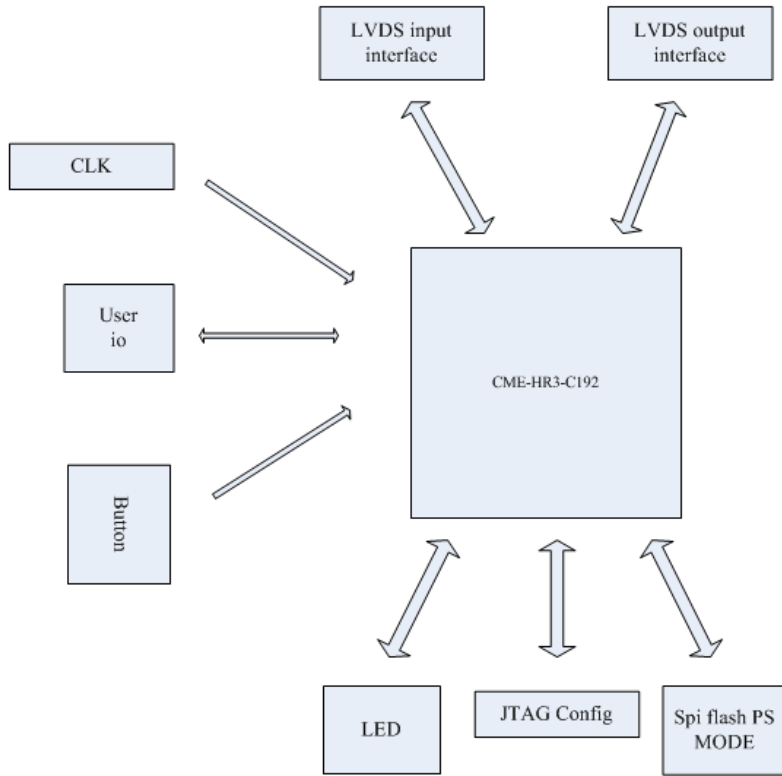
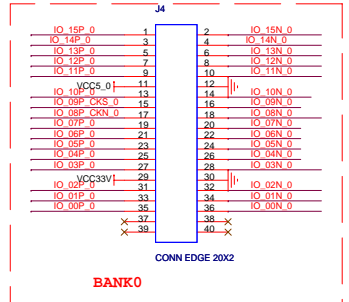
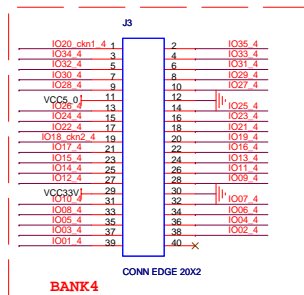
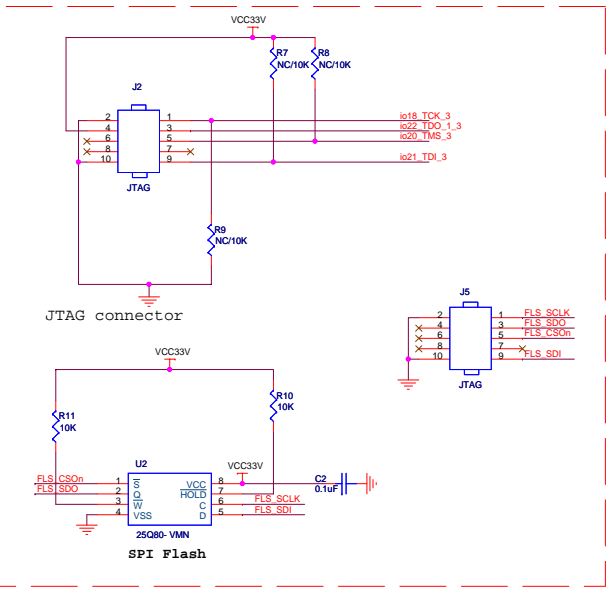
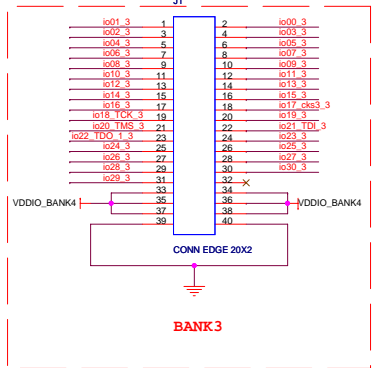
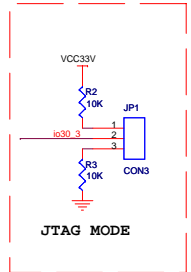
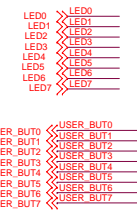
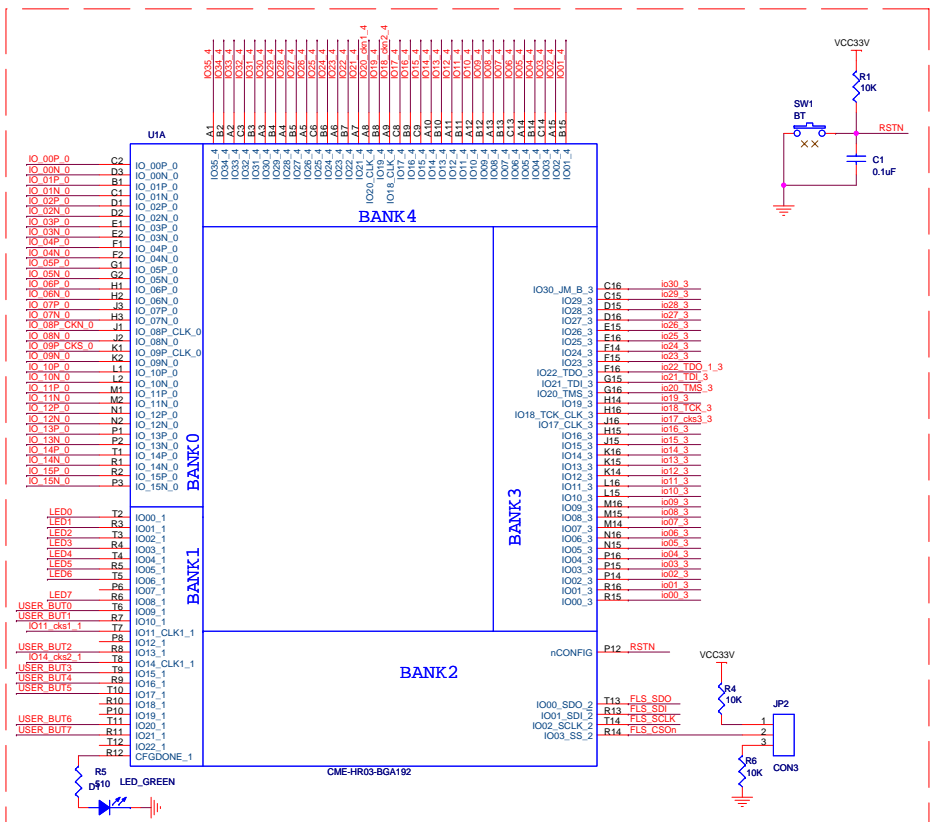
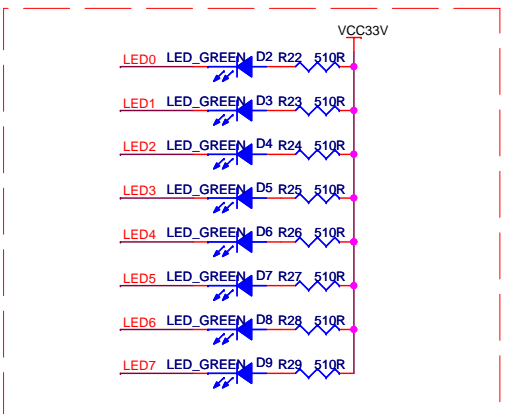
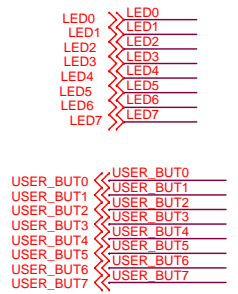
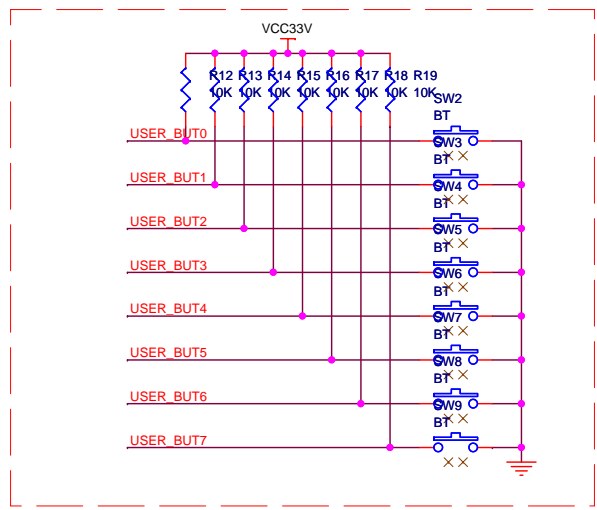
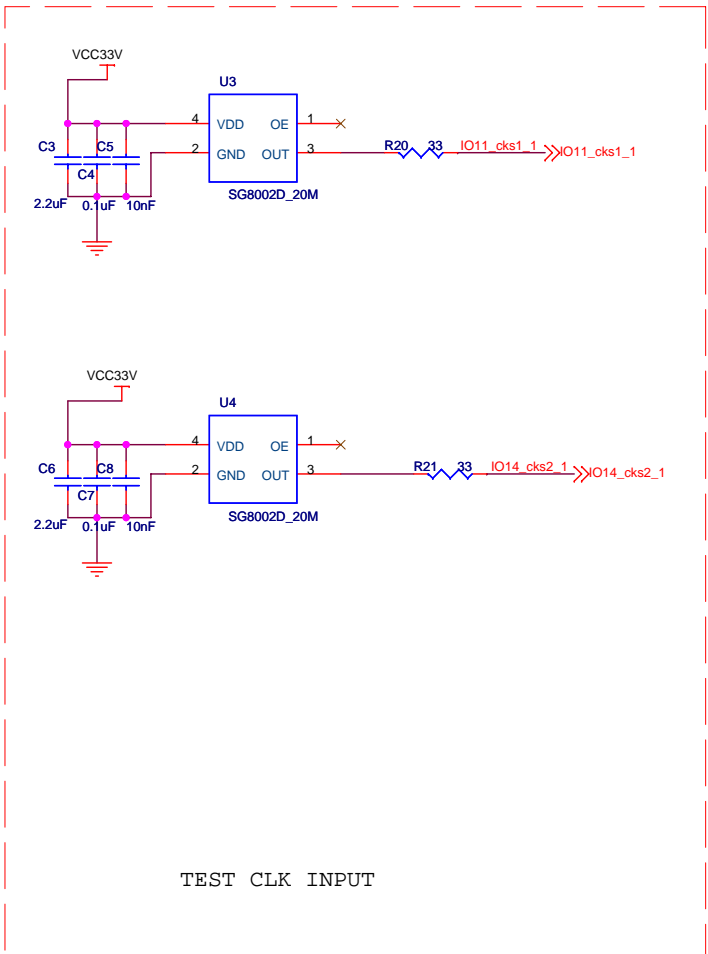


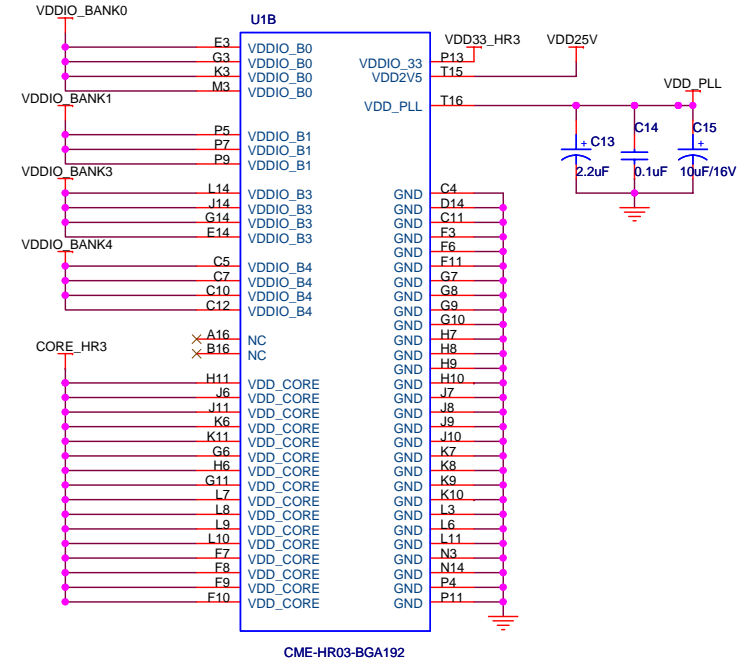
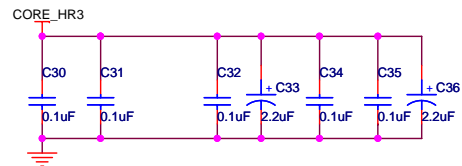
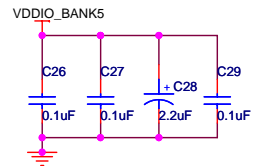
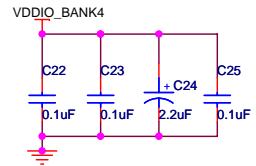
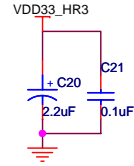
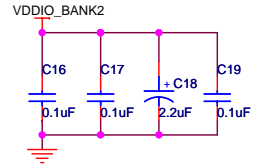
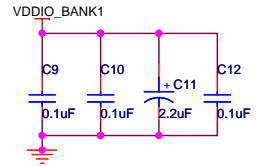
CME-HR3-C192 Block diagram



| | | |
|---|-------------------------|--------------|
|  京微雅格 Capital Microelectronics | | |
| Title | <Title> | |
| Size | Document Number | Rev |
| B | <Doc> | <Rev Code> |
| Date: | Tuesday, April 12, 2016 | Sheet 1 of 5 |







CME-HR03-BGA192



<Title> CME-HR3-C192 POWER

| | | |
|--------|-------------------------|----------------|
| Size B | Document Number <Doc> | Rev <Rev Code> |
| Date: | Tuesday, April 12, 2016 | Sheet 4 of 5 |

