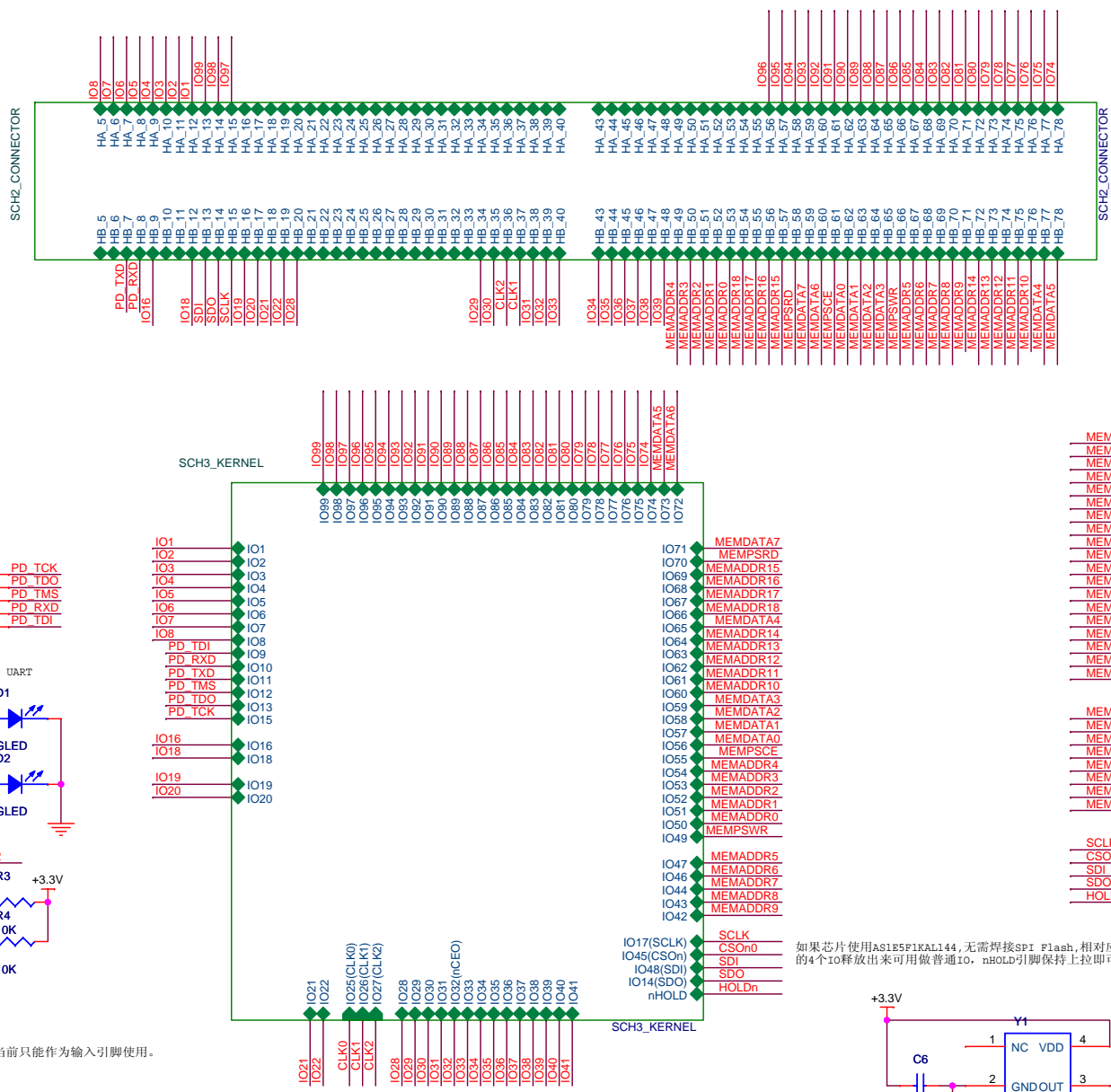
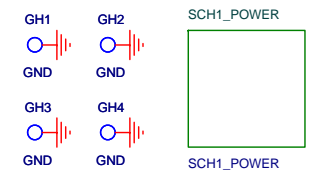


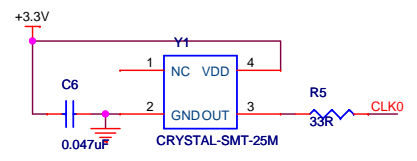
CLK1、CLK2 如果不做为CLOCK，则当前只能作为输入引脚使用。



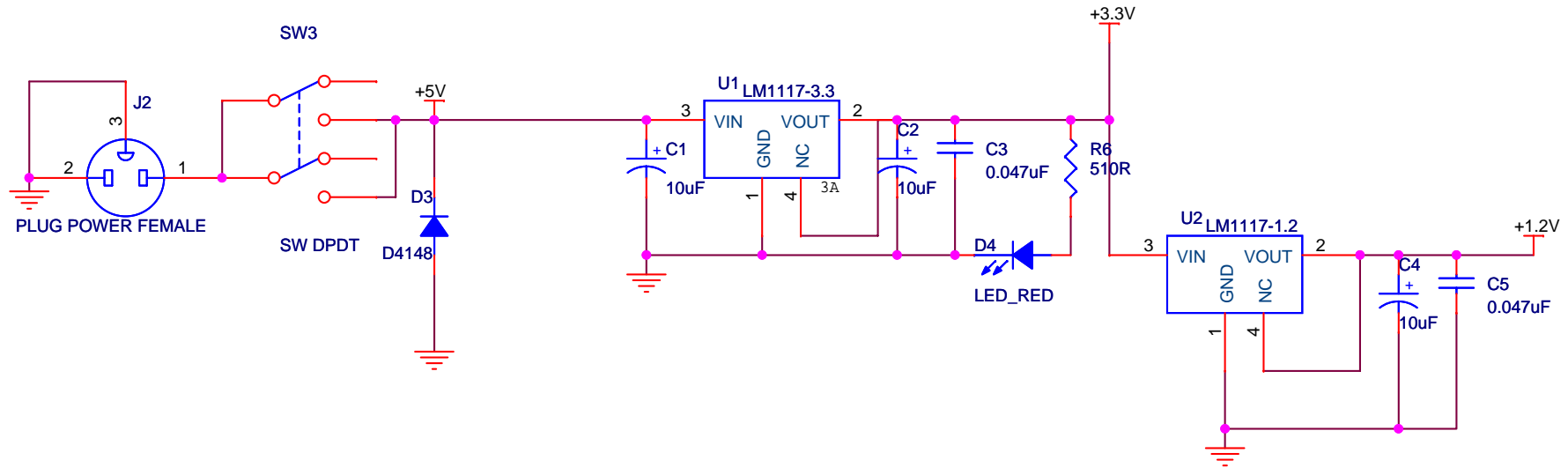
ncbo做芯片级联使用，如无需级联可视为普通IO。



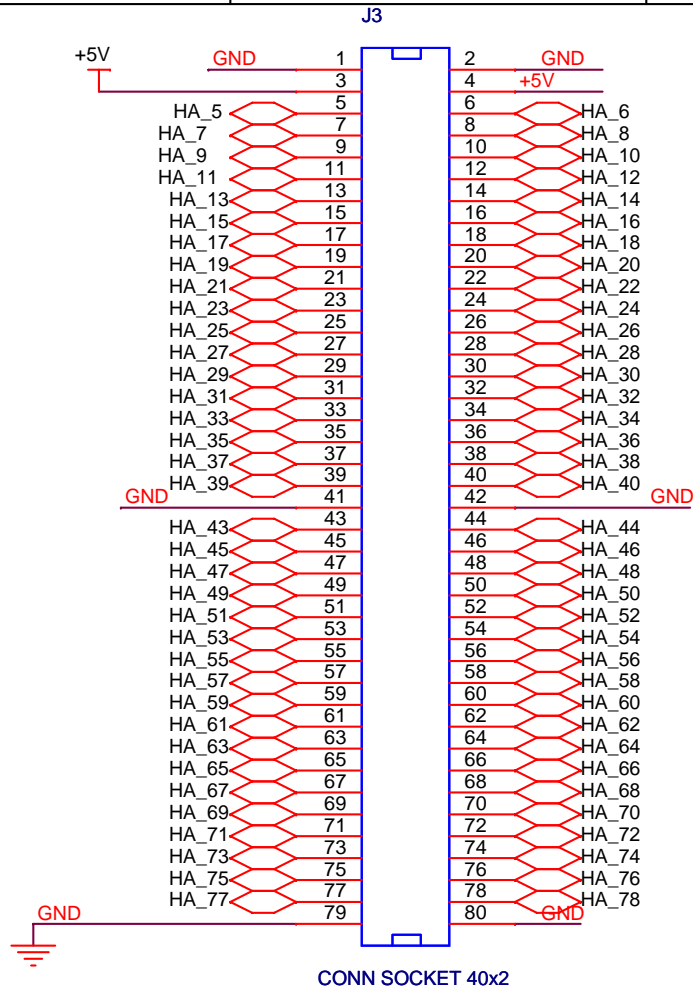
如果芯片使用AS1E5F1KAL144，无需焊接SPI Flash，相对应的4个IO释放出来可用做普通IO，nHOLD引脚保持上拉即可。



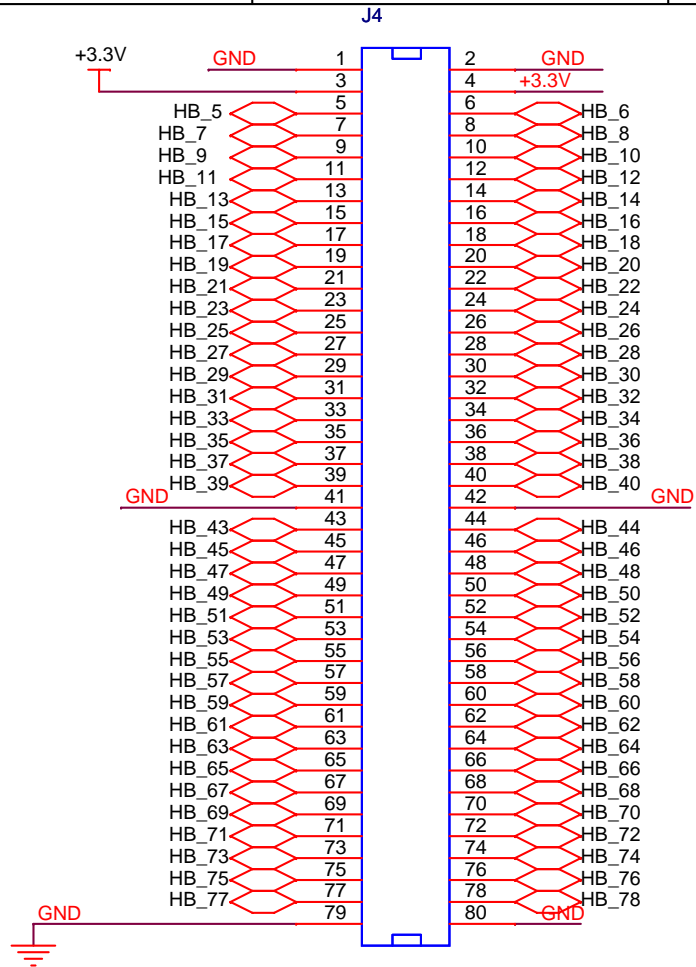
Title		<Title>
Size	Document Number	Rev
B	<Doc>	<RevCode>
Date:	Thursday, May 20, 2010	Sheet 1 of 7



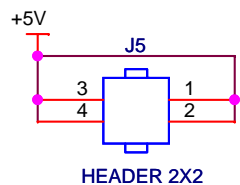
Title		
<Title>		
Size	Document Number	Rev
A	<Doc>	<RevCode>
Date:	Thursday, May 20, 2010	Sheet 2 of 7



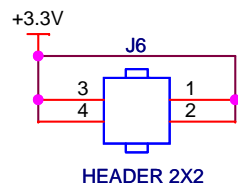
CONN SOCKET 40x2



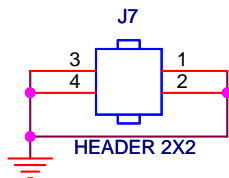
CONN SOCKET 40x2



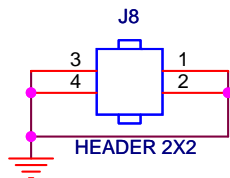
HEADER 2X2



HEADER 2X2

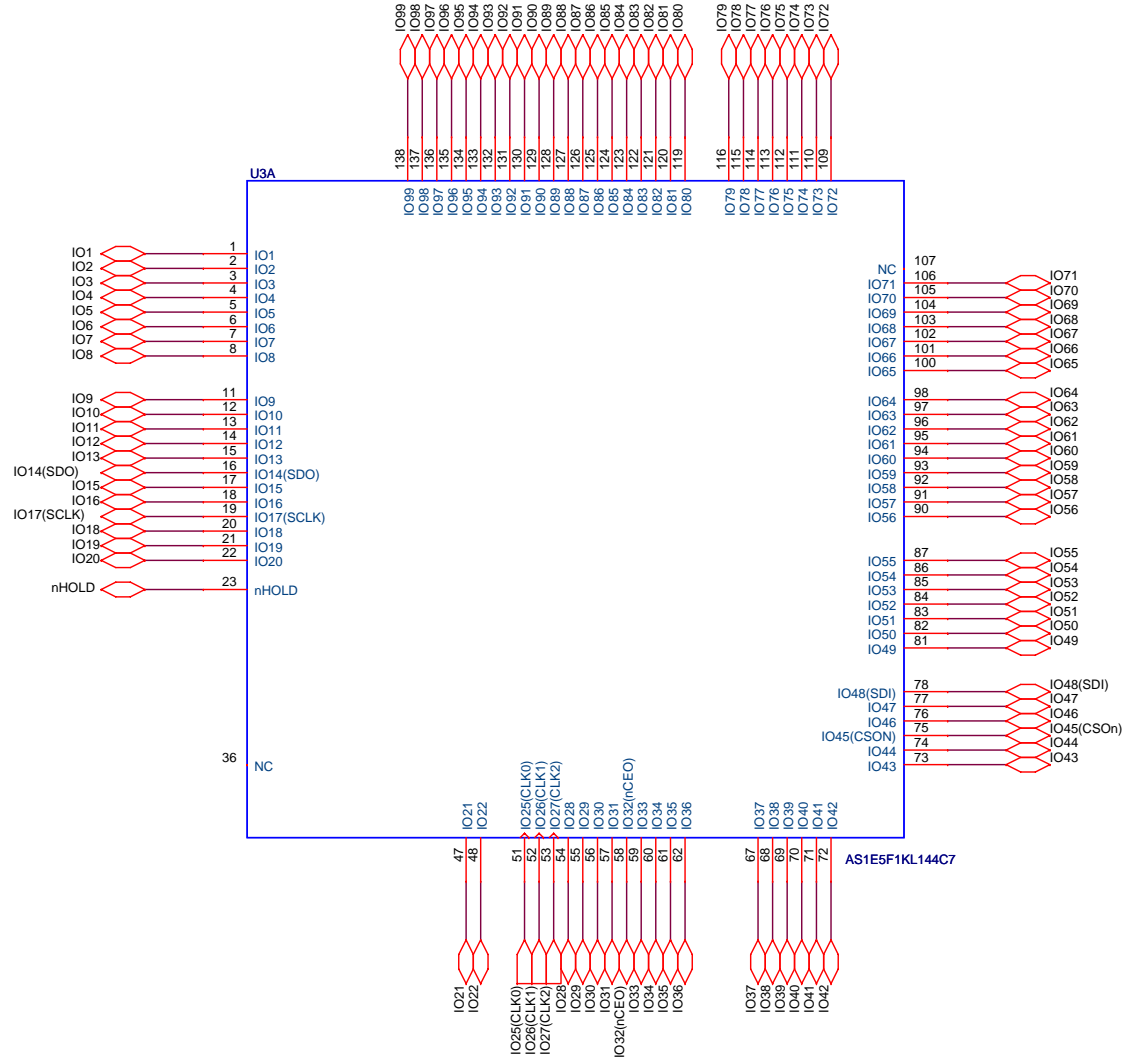


HEADER 2X2




HEADER 2X2

Title		
<Title>		
Size	Document Number	Rev
A	<Doc>	
Date:	Thursday, May 20, 2010	Sheet 3 of 7



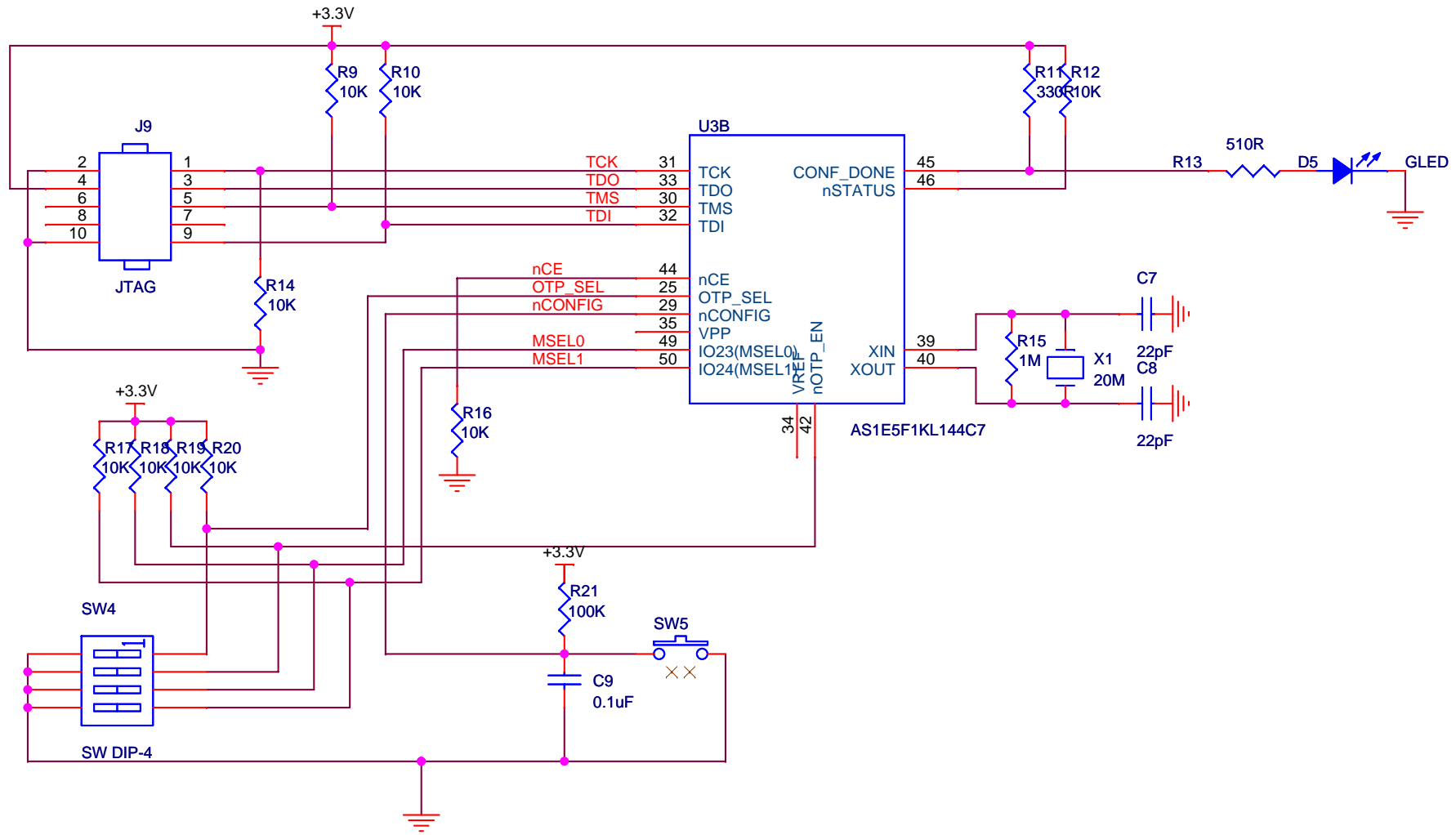
<Title>



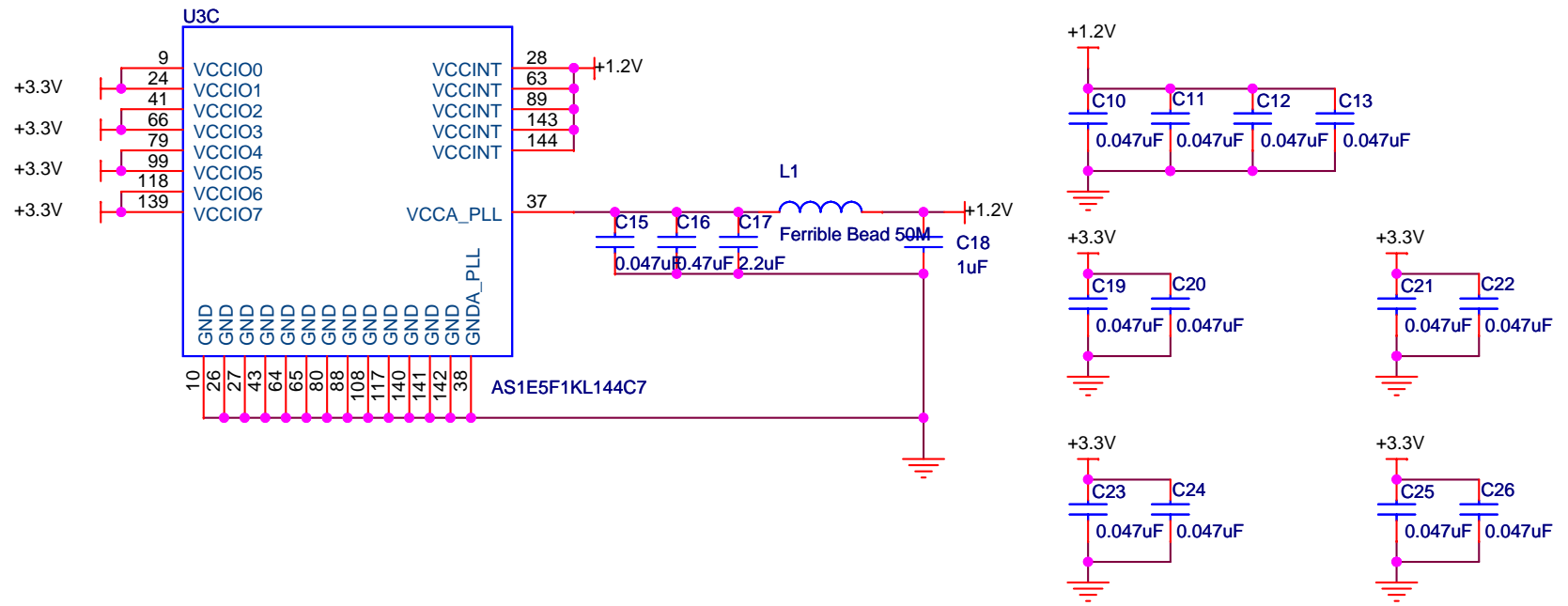
Title

Size B	Document Number <Doc>	Rev <RevCode>
--------	-----------------------	---------------

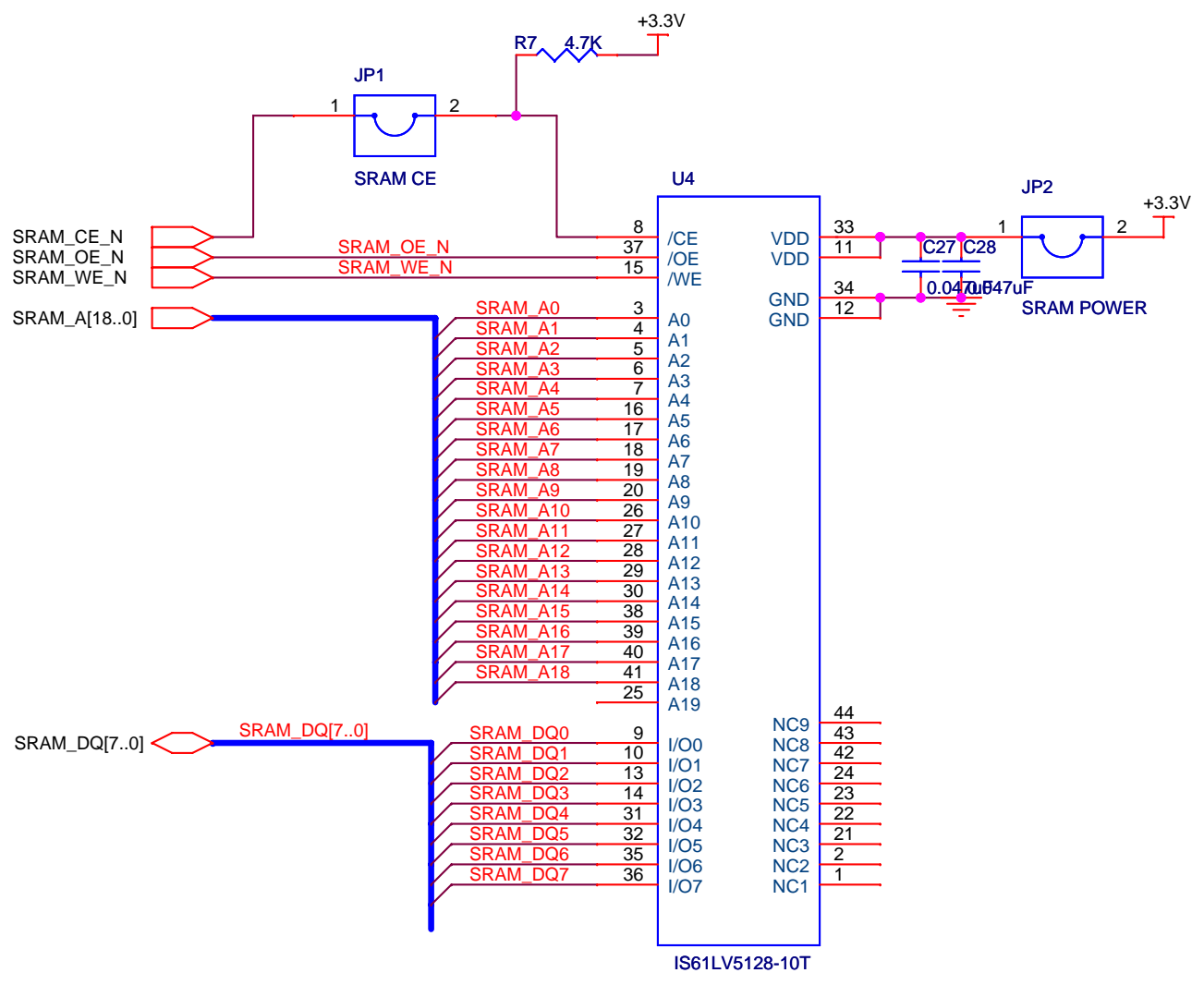
Date: Thursday, May 20, 2010 Sheet 4 of 7



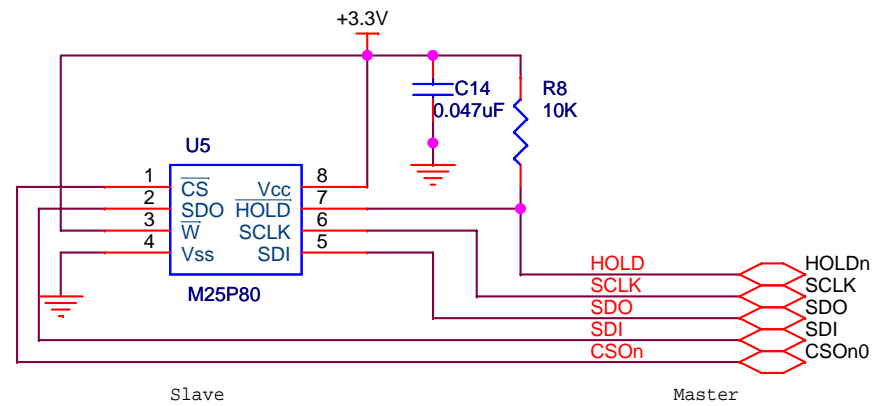
Title		
<Title>		
Size	Document Number	Rev
A	<Doc>	<RevCode>
Date:	Thursday, May 20, 2010	Sheet 5 of 7



Title		
Size A	Document Number <Doc>	Rev <RevCode>
Date:	Thursday, May 20, 2010	Sheet 6 of 7



Title		
<Title>		
Size	Document Number	Rev
A	<Doc>	<RevCode>
Date:	Thursday, May 20, 2010	Sheet 7 of 7



Title		
<Title>		
Size	Document Number	Rev
A	<Doc>	<RevCode>
Date:	Thursday, May 20, 2010	Sheet 8 of 8