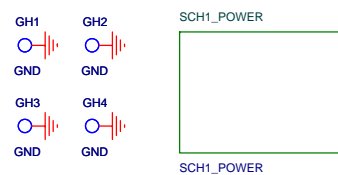
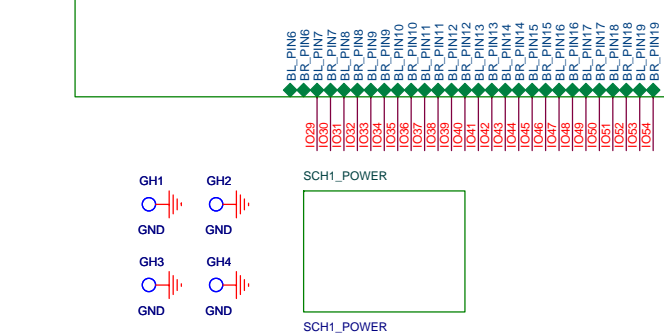
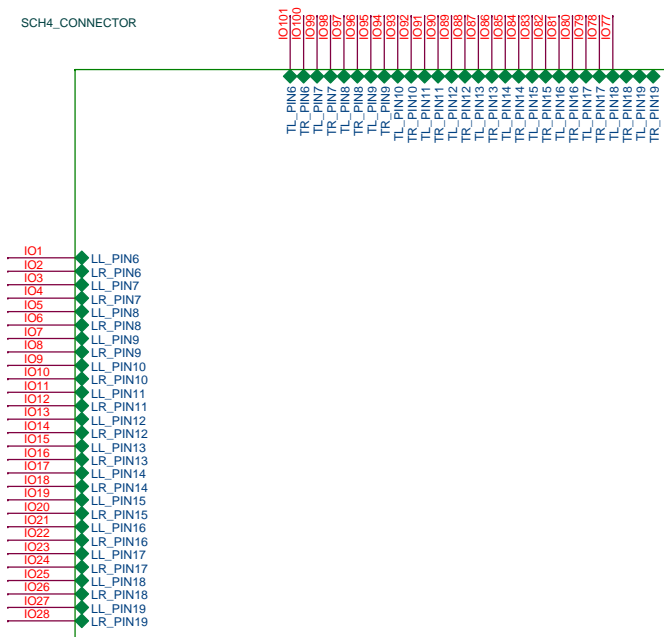
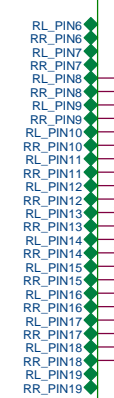


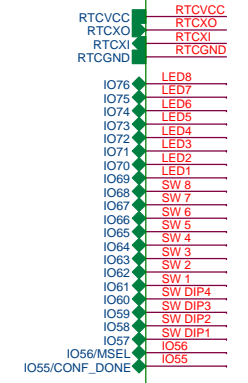
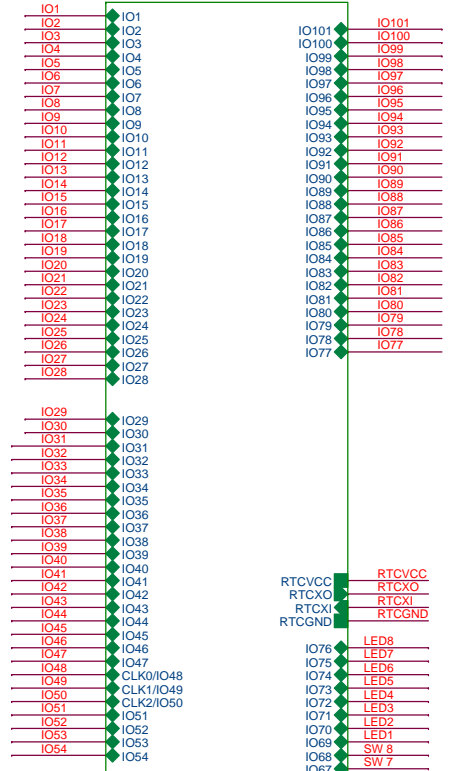
SCH4_CONNECTOR



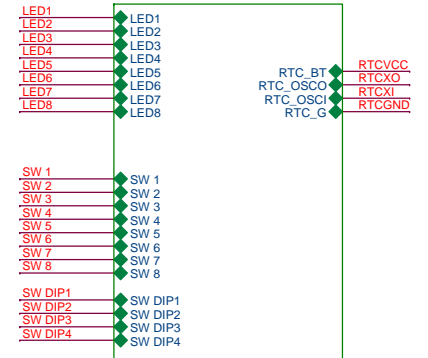
SCH4_CONNECTOR



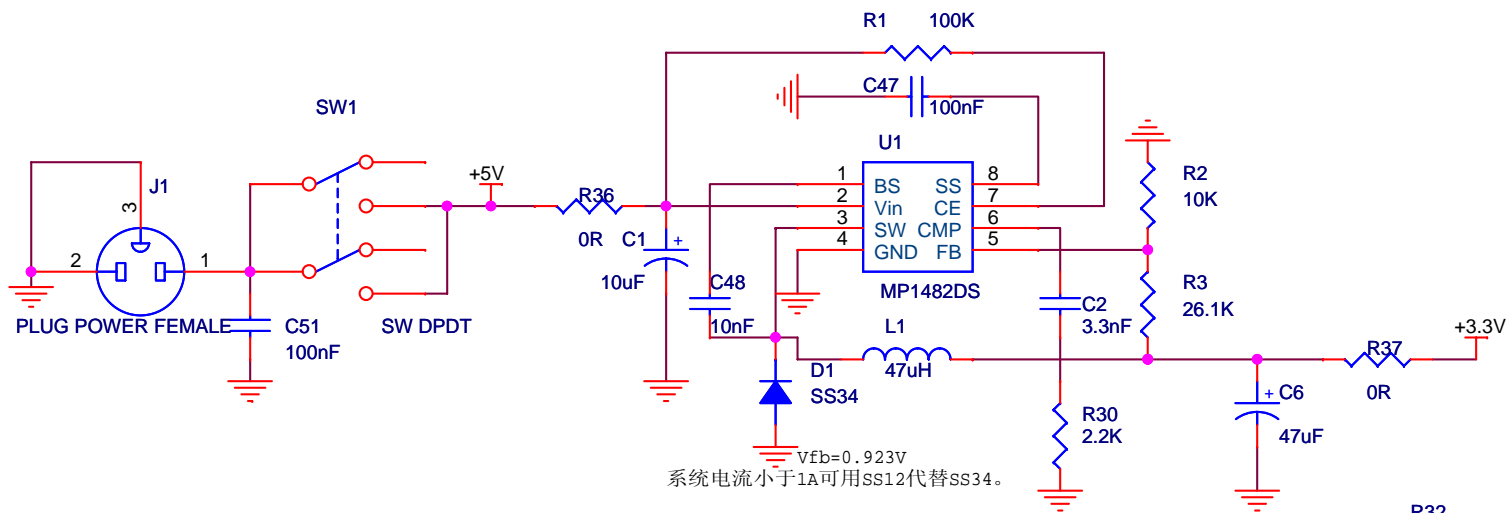
SCH2_KERNEL



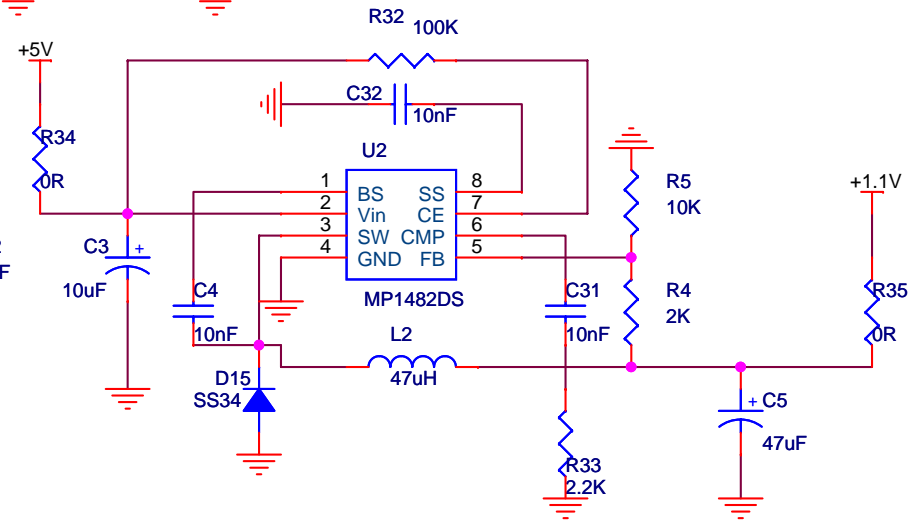
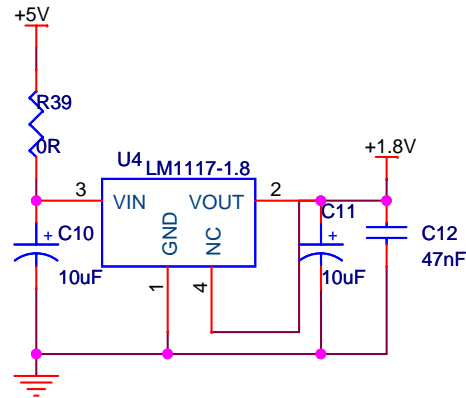
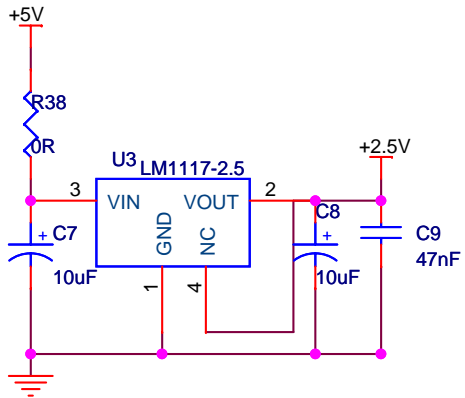
SCH5_APPLICATION



Title		
CME-M5-N-L144-EVB		
Size	Document Number	Rev
A3	<Doc>	1.3
Date:	Wednesday, November 21, 2012	Sheet 1 of 6

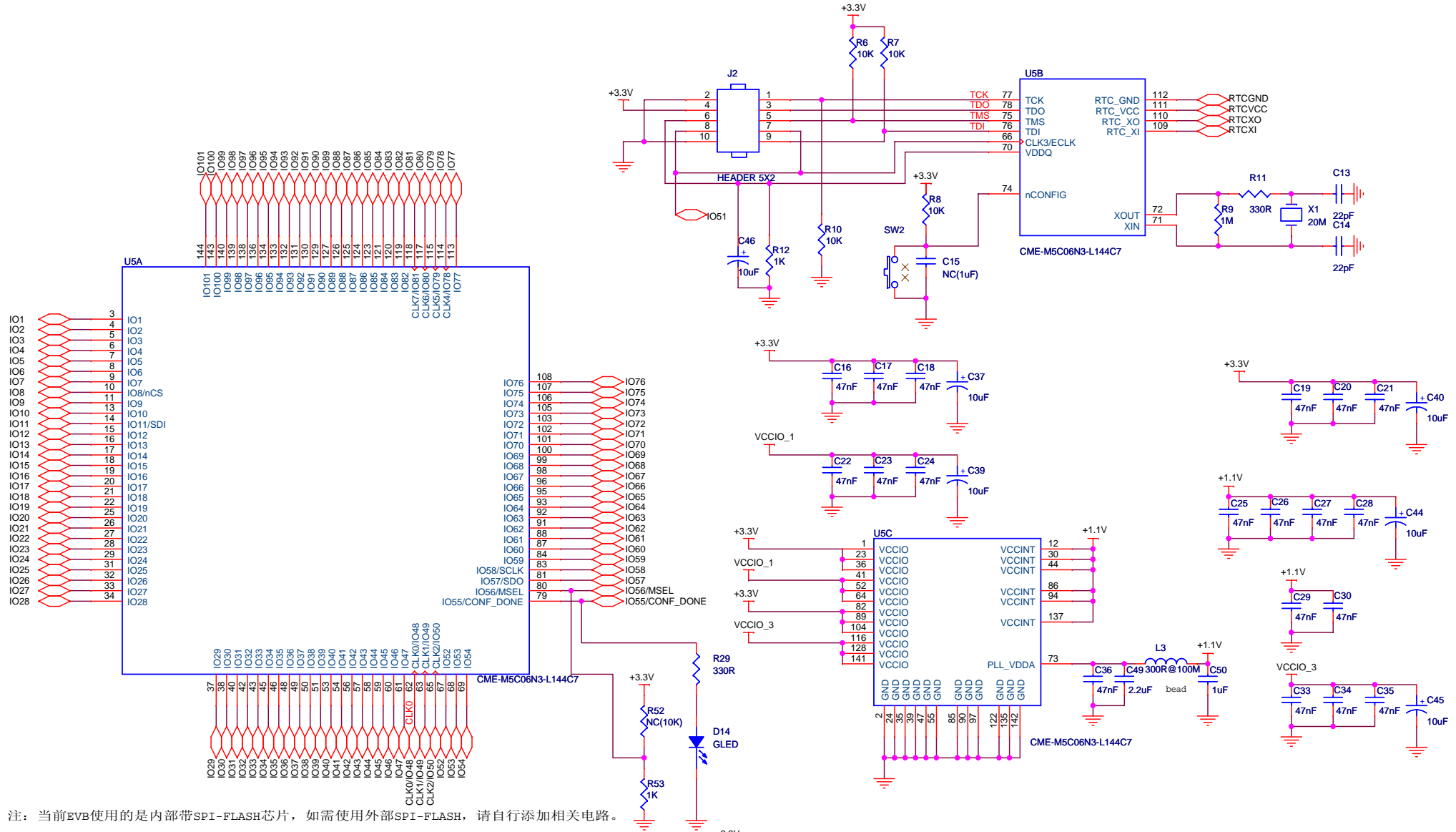


Vfb=0.923V
 系统电流小于1A可用SS12代替SS34。



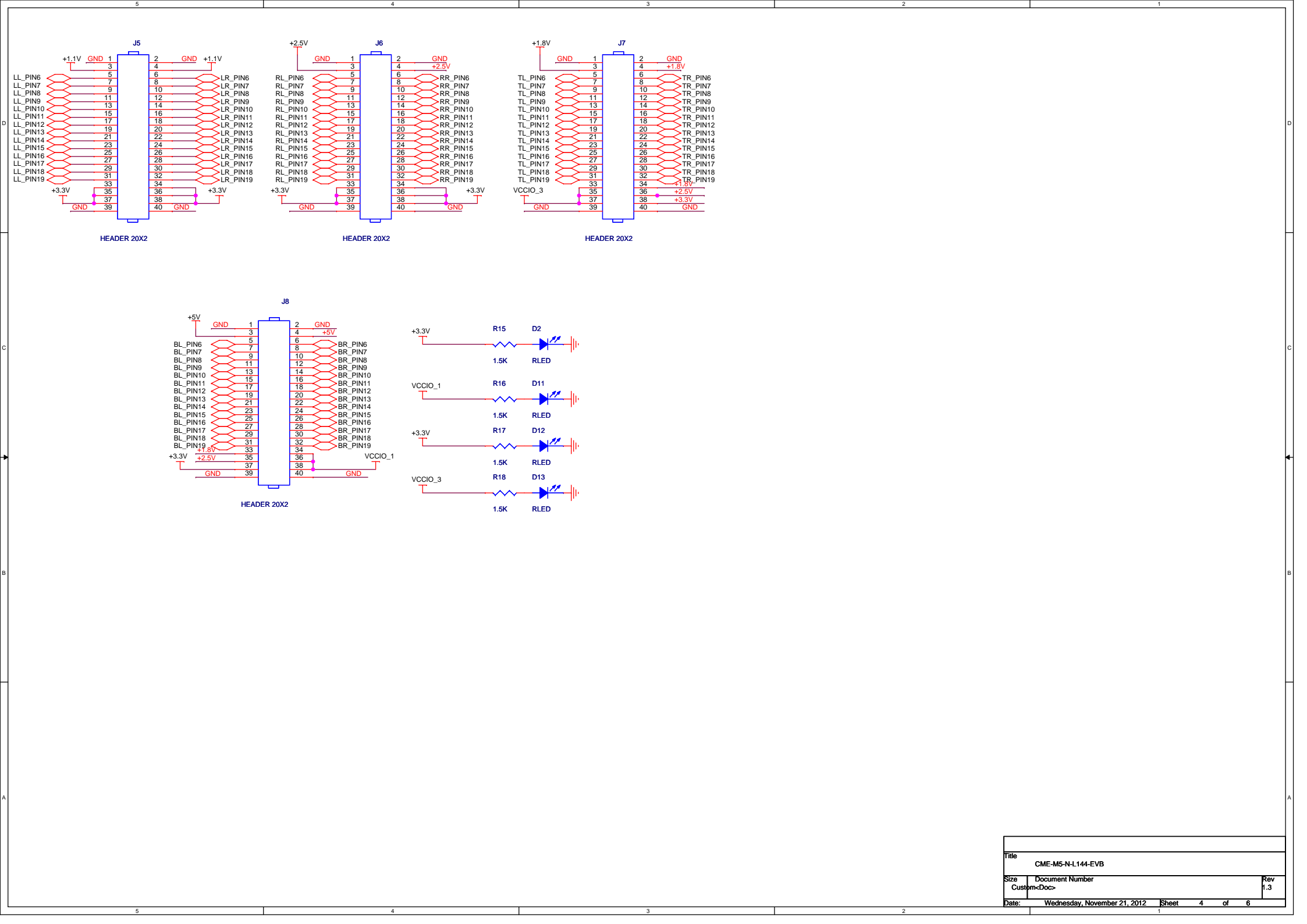
Vfb=0.923V
 系统电流小于1A可用SS12代替SS34。

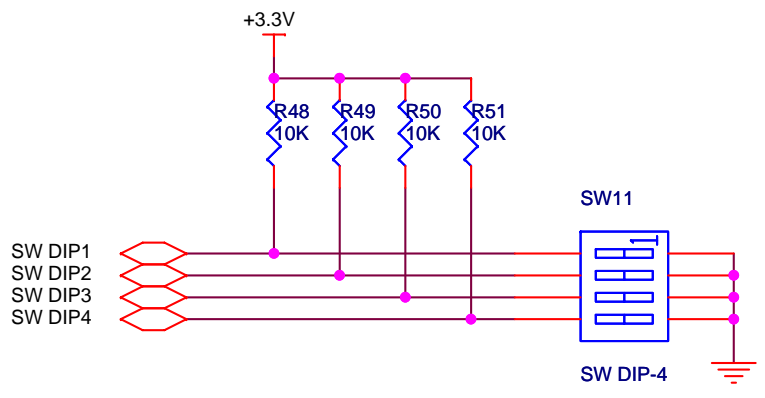
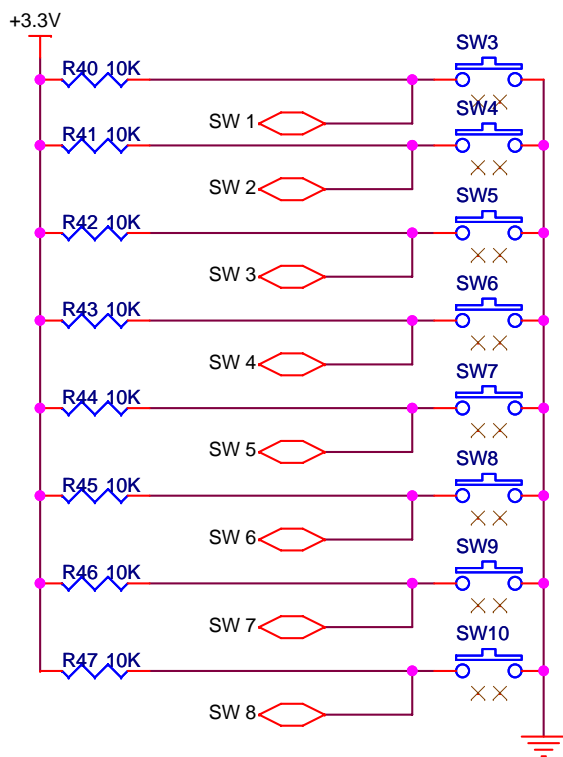
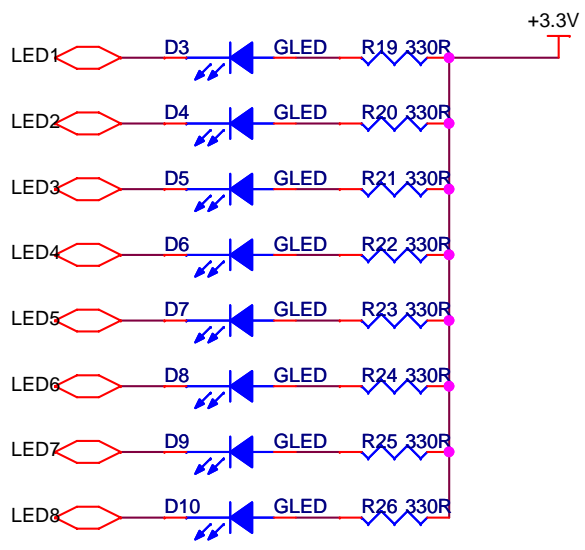
Title		
CME-M5-N-L144-EVB		
Size	Document Number	Rev
A	<Doc>	1.3
Date:	Friday, July 12, 2013	Sheet 2 of 6



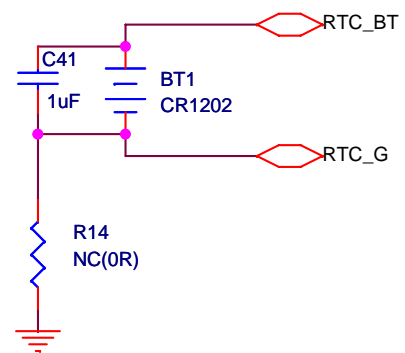
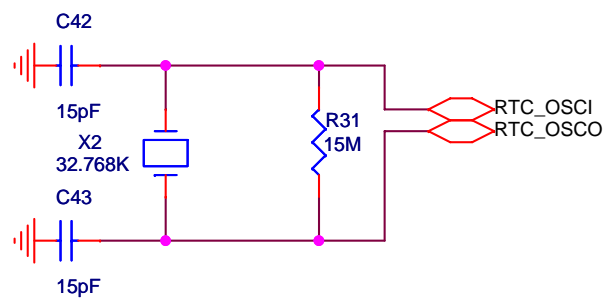
注：当前EVB使用的是内部带SPI-FLASH芯片，如需使用外部SPI-FLASH，请自行添加相关电路。

Title		
CME-M5-N-L144-EVB		
Size	Document Number	Rev
B	<Doc>	1.3
Date:	Friday, July 12, 2013	Sheet 3 of 6





Title		
CME-M5-N-L144-EVB		
Size	Document Number	Rev
A	<Doc>	1.3
Date:	Wednesday, November 21, 2012	Sheet 5 of 6



Title		
CME-M5-N-L144-EVB		
Size	Document Number	Rev
A	<Doc>	1.3
Date:	Wednesday, November 21, 2012	Sheet 6 of 6